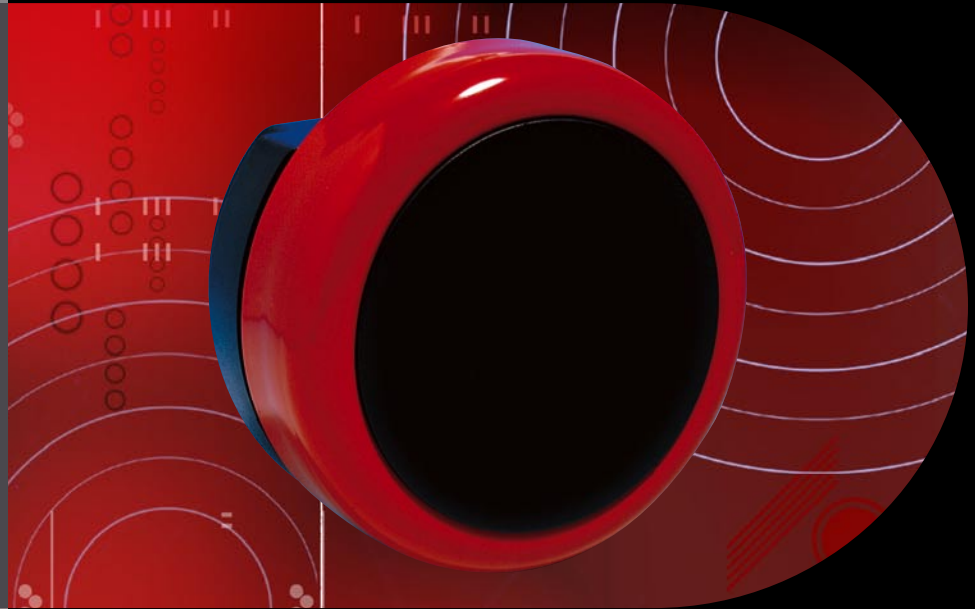




An electronic bell for a wide range of uses.

Metal casing available in red or grey finish.

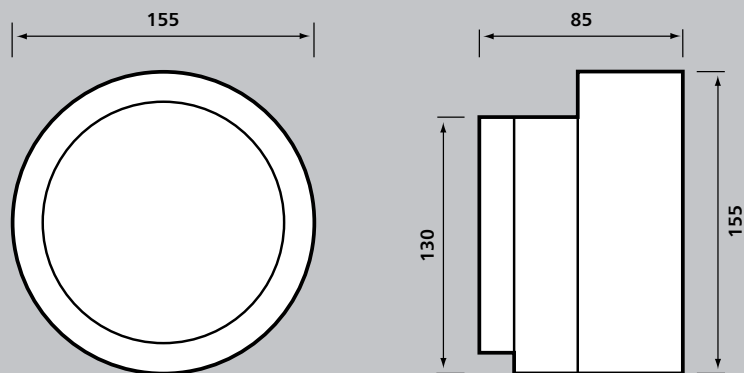
Suitable for semi flush or surface mounting.



TECHNICAL SPECIFICATION

Type	24V dc	220/240V ac
Ingress Protection	Standard IP40	Standard IP40
	Special IP55	Special IP55
Approx Weight	1.1 Kg	1.25 Kg
Operating Temperature	Indoor, -10°C to +50°C	
Sound Output at 1m	95dB(A)	95dB(A)
Current at Nominal Voltage	30mA	30mA

DIMENSIONS (mm)



ORDER CODES

24V dc Red IP40	74430-88NM
Weather Resistant, 24V dc Red IP55	74432-88NM
Weather Resistant, 220/240V ac Red IP55	74332-50NM
12V dc Grey	74431-66NM