



MANUAL CALL POINTS

Manual call points are manufactured from ABS with plastic covered push break glasses for safe and simple operation. No hammer is required.

A polycarbonate cover version is available for applications susceptible to inadvertent operation, such as sports halls.

Note: All manual call points can be flush mounted by using a flush fixing plate.

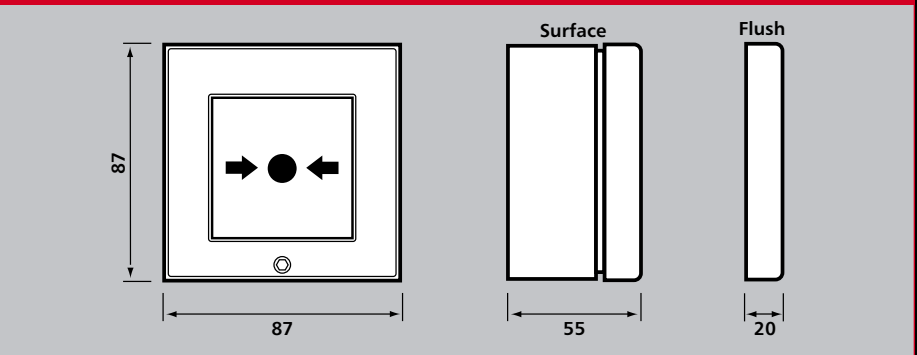


ORDER CODES	
Surface mounted c/w backbox	71150-52NMA
Surface mounted c/w backbox EN54 version	71150-52NMA-EN
Surface mounted with Cover and backbox	71150-55NMA
Surface mounted with Cover and backbox EN54 version	71150-55NMA-EN
Key Operated, surface mounted c/w backbox	14115-08
Flush mounted call point	71150-51NMA
Red surface mounted for NO and NC connections	71150-62NM
MCP square glasses with ref to EN54 Pt 11 (pack 10)	71150-90NM-EN
MCP square glasses without ref to standards (pack 10)	71150-91NM
MCP square glasses branded Senator II (pack 10)	78150-91NM
Plastic Test Keys (pack 10)	71150-92NM
MCP Surface Weather Resistant Kit	71150-93NM
MCP Semi Flush Spacer	14112-20
MCP Semi-Flush Kit, current range onto 1102 box	14112-29
MCP Flush Fixing Plate	19289-01
Round glasses (1102 range) (pack 10)	14111-99

TECHNICAL SPECIFICATION

Nominal Voltage	24V dc
Ingress Protection	IP54 with gasket
Approx. Weight	0.15 Kg
Operating Temperature	0°C to 50°C
Relevant Standards	EN54 Part 11
Approvals	LPCB Applied for

DIMENSIONS (mm)



Accessories & Spares

Key Operated Call Point – Preventing unauthorised operation for use in areas with a high risk of tampering or vandalism.

Test Keys – For testing call points without breaking the glass.

Weather Resistant Kit – Allowing a call point to be used externally, providing weather resistance to IP54

Semi-flush Spacing Kit – For part recessing call points.