



FIRE DETECTION

DOOR RELEASE

To close fire doors in an emergency and prevent the spread of fire and smoke.

Moulded ABS and steel enclosure capable of floor or wall mounting.

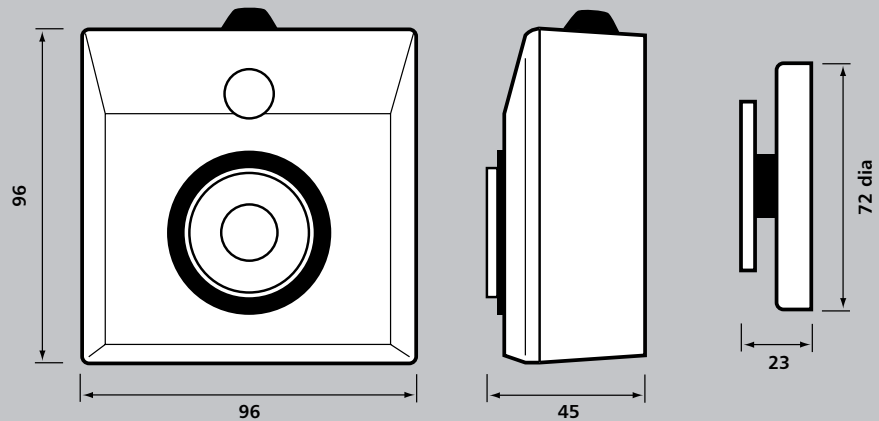
Complies with BS 5839-3.



TECHNICAL SPECIFICATION

	Wall Mounted	Wall Mounted	Floor Mounted
Type	24V dc	230V ac	24V dc
Approx Weight	Door plate, 0.07 Kg Door holder, 0.53 Kg		
Current Consumption	21mA	12mA	45mA
Operating Temperature	Indoor/Outdoor, -10°C to +50°C		
Nominal Magnetic Pull	112 Newton		200 Newton
Relevant Standard	BS 5839-3		
Finish	Moulded ABS		

DIMENSIONS (mm)



ORDER CODES

Magnet Door Holder 24V dc	79905-24NM
Magnet Door Holder 240V ac	79905-50NM
Floor Bracket; fixing door holder at right angle to floor	04390-92
Door Keeper Plate; metal keeper plate in two pieces	04390-99
High Profile Box c/w 24V DPCO relay	19107-52